



## SWITCHES & SOCKETS

ilict

## AREAS OF APPLICATION



Hospitality



Shopping Center



Commercial



Educational Center

## TECHNICAL OPERATING & ELECTRICAL DATA

Mounting Type	Recessed in Wall
Fixed or Adjustable	Fixed
Embedding Depth	22mm
Frame Material	Cold-roll Steel Sheets
Module Color	White
Frame Color	Grey

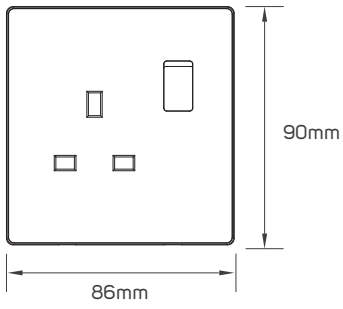
## SPECIFICATIONS

Code No.	Model No.	Module Material	Contacts Material
532198	DP BS-13A-3GGR-So+Sw	PC/brass/phosphor bronze/AgCdO	Cold-roll steel sheets/brass
532199	DP BS-13A-3GG-So+Sw	PC/brass/phosphor bronze/AgCdO	Cold-roll steel sheets/brass
532200	DP BS-13A-3GGB-So+Sw	PC/brass/phosphor bronze/AgCdO	Cold-roll steel sheets/brass
532201	SP BS-13A+USB+TC-3GGR-So+Sw	PC/brass/phosphor bronze/AgCdO/PCB electrical parts	Cold-roll steel sheets/brass
532202	SP BS-13A+USB+TC-3GG-So+Sw	PC/brass/phosphor bronze/AgCdO/PCB electrical parts	Cold-roll steel sheets/brass
532203	SP BS-13A+USB+TC-3GB-So+Sw	PC/brass/phosphor bronze/AgCdO/PCB electrical parts	Cold-roll steel sheets/brass
532204	2G-BS-13A-DP-3GGR-So+Sw	PC/brass/phosphor bronze/AgCdO	Cold-roll steel sheets/brass
532205	2G-BS-13A-DP-3GG-So+Sw	PC/brass/phosphor bronze/AgCdO	Cold-roll steel sheets/brass
532206	2G-BS-13A-DP-3GB-So+Sw	PC/brass/phosphor bronze/AgCdO	Cold-roll steel sheets/brass
532207	2G-BS-13A-SP+USB+TC-3GGR-So+Sw	PC/brass/phosphor bronze/AgCdO/PCB electrical parts	Cold-roll steel sheets/brass
532208	2G-BS-13A-SP+USB+TC-3GG-So+Sw	PC/brass/phosphor bronze/AgCdO/PCB electrical parts	Cold-roll steel sheets/brass
532209	2G-BS-13A-SP+USB+TC-3GB-So+Sw	PC/brass/phosphor bronze/AgCdO/PCB electrical parts	Cold-roll steel sheets/brass
532210	2G-USB+HDMI-3GGR-So	PC/PA	/
532211	2G-USB+HDMI-3GG-So	PC/PA	/
532212	2G-USB+HDMI-3GB-So	PC/PA	/
532213	2G-BS-13A-DP+45A-3GGR-So+Sw	PC/brass/phosphor bronze/AgCdO/PCB electrical parts	Cold-roll steel sheets/brass
532214	2G-BS-13A-DP+45A-3GG-So+Sw	PC/brass/phosphor bronze/AgCdO/PCB electrical parts	Cold-roll steel sheets/brass
532215	2G-BS-13A-DP+45A-3GB-So+Sw	PC/brass/phosphor bronze/AgCdO/PCB electrical parts	Cold-roll steel sheets/brass

## SPECIFICATIONS

Code No.	Model No.	Current Capacity	Body Color	Dimensions
532198	DP BS-13A-3GGR-So+Sw	250V~13A	grey	86x90x11.5mm
532199	DP BS-13A-3GG-So+Sw	250V~13A	gold	86x90x11.5mm
532200	DP BS-13A-3GGB-So+Sw	250V~13A	black	86x90x11.5mm
532201	SP BS-13A+USB+TC-3GGR-So+Sw	250V~13A	grey	86x90x11.5mm
532202	SP BS-13A+USB+TC-3GG-So+Sw	250V~13A	gold	86x90x11.5mm
532203	SP BS-13A+USB+TC-3GB-So+Sw	250V~13A	black	86x90x11.5mm
532204	2G-BS-13A-DP-3GGR-So+Sw	250V~13A	grey	146x90x11.5mm
532205	2G-BS-13A-DP-3GG-So+Sw	250V~13A	gold	146x90x11.5mm
532206	2G-BS-13A-DP-3GB-So+Sw	250V~13A	black	146x90x11.5mm
532207	2G-BS-13A-SP+USB+TC-3GGR-So+Sw	250V~13A	grey	146x90x11.5mm
532208	2G-BS-13A-SP+USB+TC-3GG-So+Sw	250V~13A	gold	146x90x11.5mm
532209	2G-BS-13A-SP+USB+TC-3GB-So+Sw	250V~13A	black	146x90x11.5mm
532210	2G-USB+HDMI-3GGR-So	/	grey	86x90x9.5mm
532211	2G-USB+HDMI-3GG-So	/	gold	86x90x9.5mm
532212	2G-USB+HDMI-3GB-So	/	black	86x90x9.5mm
532213	2G-BS-13A-DP+45A-3GGR-So+Sw	250V~45A/13A	grey	146x90x15.5mm
532214	2G-BS-13A-DP+45A-3GG-So+Sw	250V~45A/13A	gold	146x90x15.5mm
532215	2G-BS-13A-DP+45A-3GB-So+Sw	250V~45A/13A	black	146x90x15.5mm

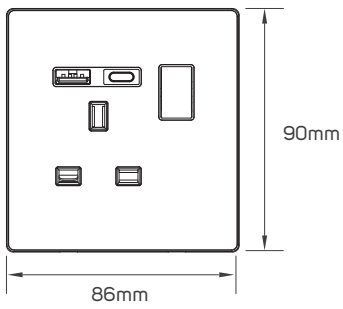
## DIMENSIONS



532198 - 532199 - 532200



532198 - 532199 - 532200

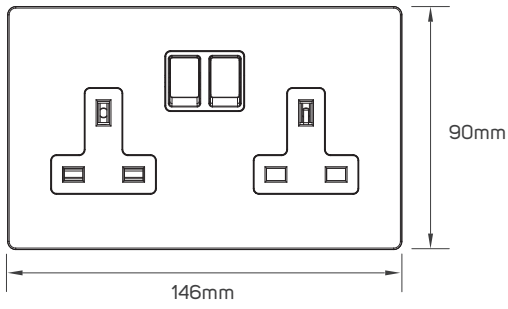


532201 - 532202 - 532203



532201 - 532202 - 532203

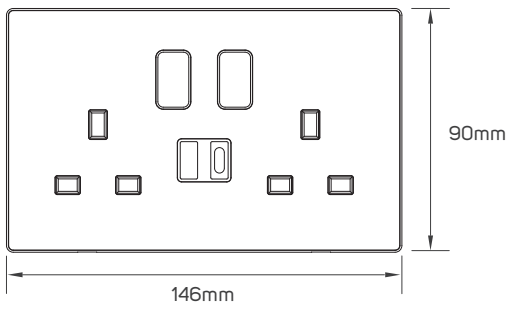
## DIMENSIONS



532204 - 532205 - 532206



532204 - 532205 - 532206

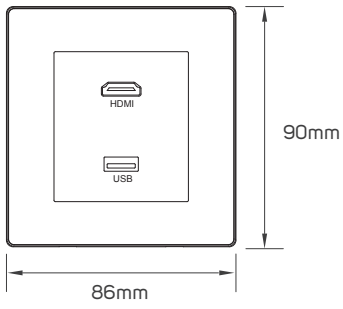


532207 - 532208 - 532209



532207 - 532208 - 532209

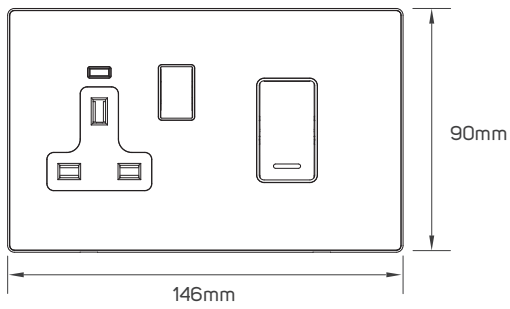
## DIMENSIONS



532210 - 532211 - 532212



532210 - 532211 - 532212



532213 - 532214 - 532215



532213 - 532214 - 532215



## SWITCHES & SOCKETS

