



FLOOR SOCKETS

ilict

AREAS OF APPLICATION



Hospitality



Shopping Center



Commercial



Educational Center

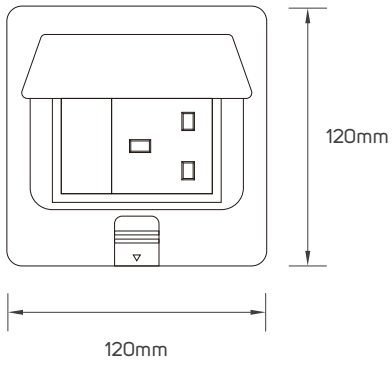
TECHNICAL OPERATING & ELECTRICAL DATA

Mounting Type	Recessed
Fixed or Adjustable	Fixed
Embedding Depth	57mm
Module Material	PC+Gold
Contacts Material	A3 Steel
Current Capacity	250V~16AX
Module Color	White

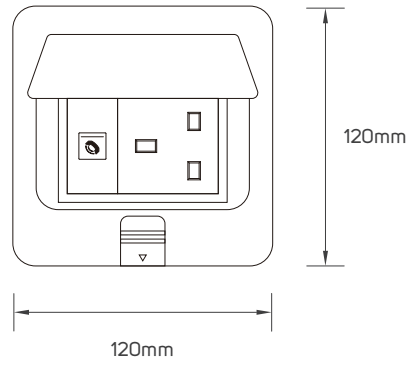
SPECIFICATIONS

Code No.	Model No.	Body Color	Frame Color	Frame Material
532299	N313AFBPM	Gold	white	Brass
532300	N313AFBTLPM	Gold	white	Brass
532301	N313AFBDATAPM	Gold	white	Brass
532302	N313AFSPM	Stainless	white	Stainless
532303	N313AFSTLPM	Stainless	white	Stainless
532304	N313AFSDATAPM	Stainless	white	Stainless
532305	FJHWPBOX01	Transparent	/	PS
532306	MHSMBOX01	White	/	/
532307	DHSMBOX01	White	/	/
532309	FSHWPBOX01	Transparent	/	ABS
532310	FSHWPBOX02	Transparent	/	ABS
532539	N313AFGDUSBTCPM	Gold	white	Brass
532540	N313AFSDUSBTCPM	Stainless	white	Stainless

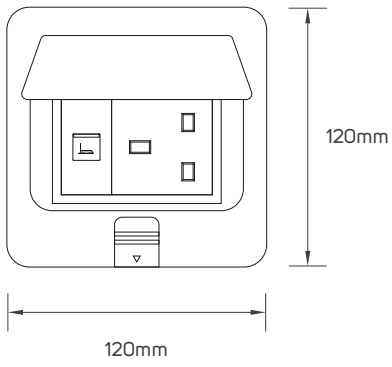
DIMENSIONS



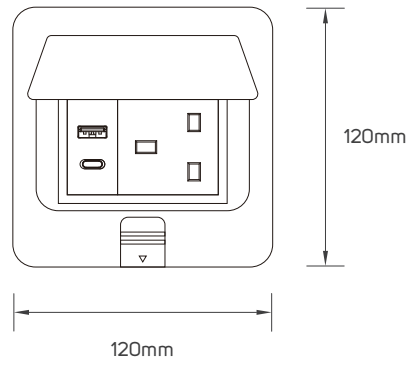
532299



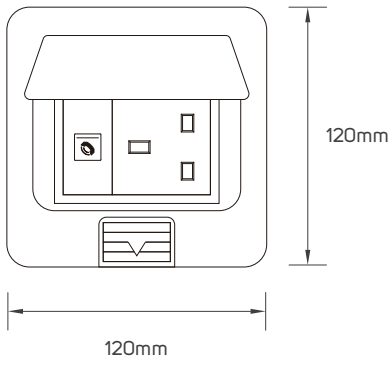
532300



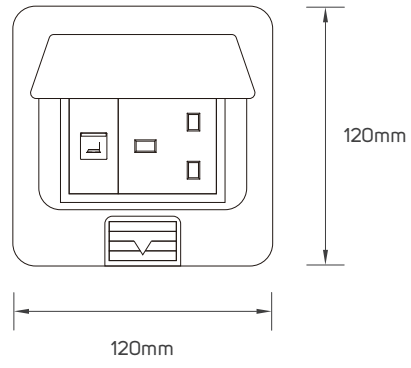
532301



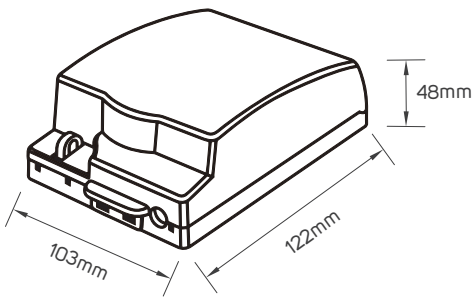
532302 - 532539



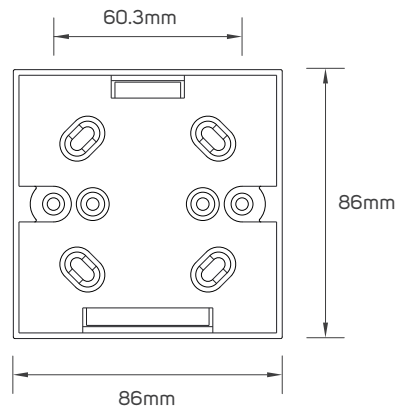
532303



532304

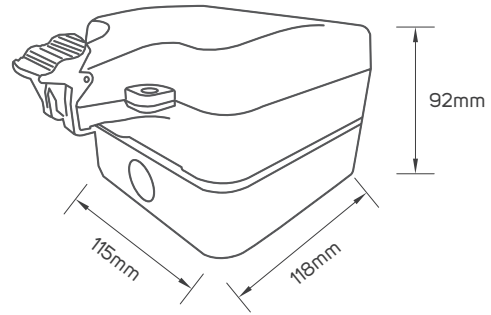
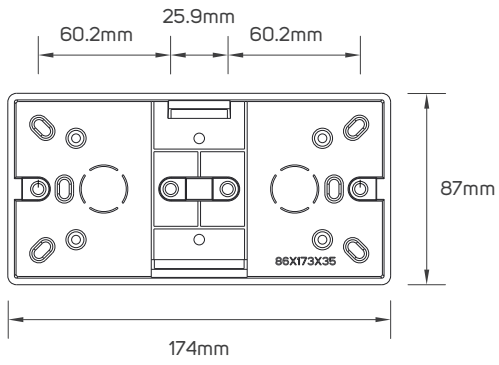


532305



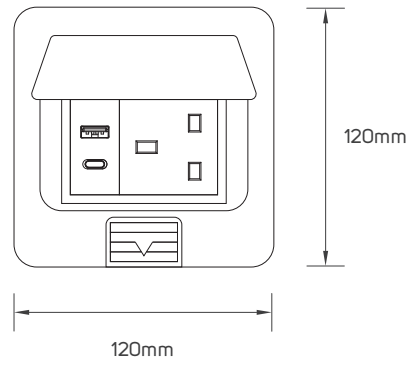
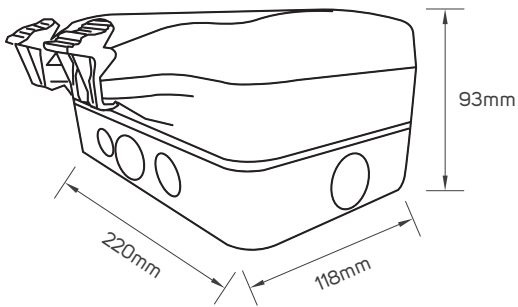
532306

DIMENSIONS



532307

532309



532310

532540

APPLICATION PICTURE



FLOOR SOCKETS

